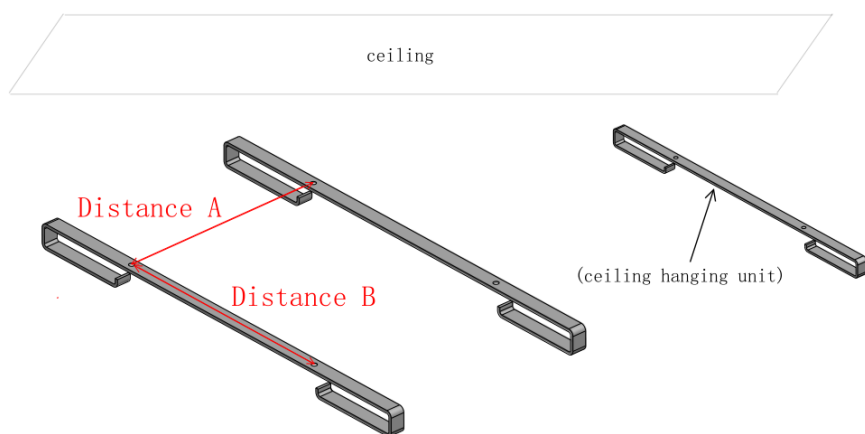


Ceiling Mounting Bar Instruction Manual

1. Drill four holes on the ceiling using the correct distance **A** and distance

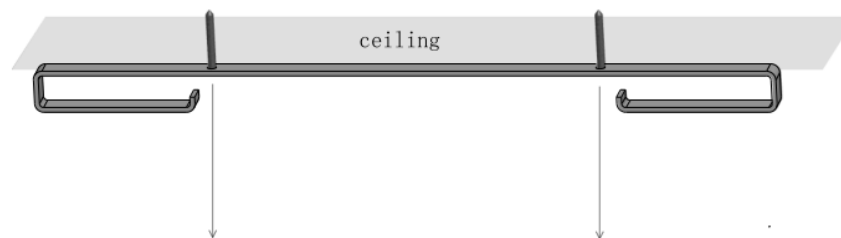
B.



Panel Size/mm	Hole Distances of Screws/mm
605*605 (or similar)	A310*B240mm
705*605 (or similar)	A360*B240mm
805*605 (or similar)	A480*B240mm
905*605 (or similar)	A480*B240mm
1005*605 (or similar)	A480*B240mm

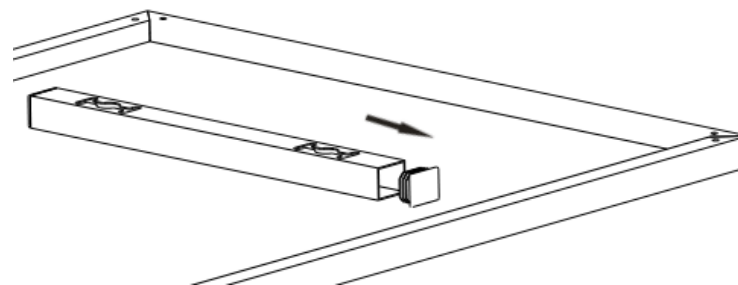
1205*605 (or similar)	A660*B240mm
1205*755 (or similar)	A660*B390mm
1205*805 (or similar)	A660*B390mm
1205*905 (or similar)	A660*B470mm
1205*1005 (or similar)	A660*B470mm

2. Mount the two hanging bars onto the ceiling with screws, and ensure they're fastened tightly and secure.

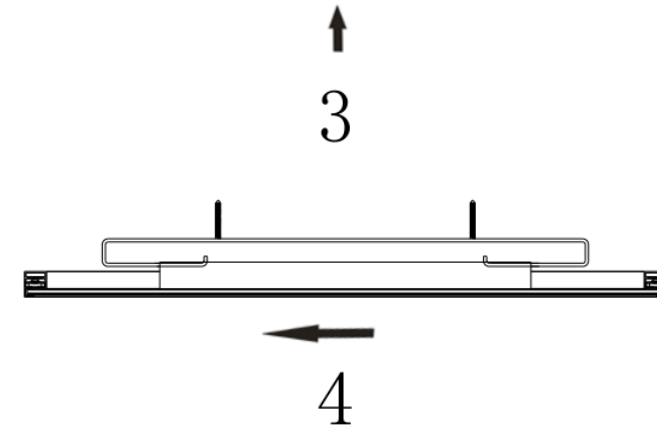
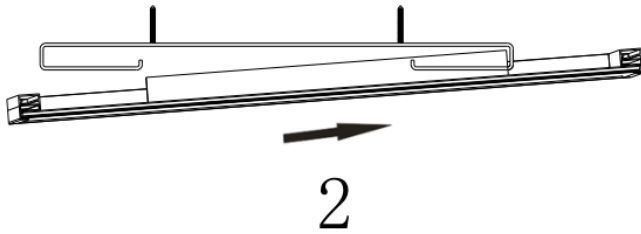
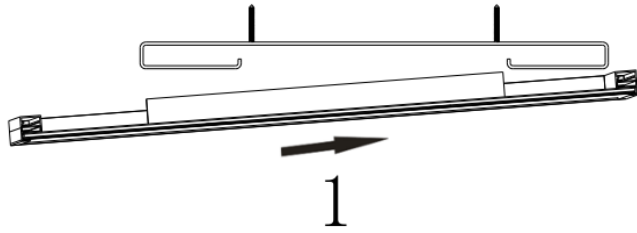


must be screwed to the end tightly

3. Remove all four plastic caps from rear of the panel's brackets on the back.



4. Slide the panel onto one side of the panel's rear brackets first, then push the whole panel close to ceiling and slide the panel back, to make sure the "ends" of other end of the ceiling hanging bars enters the other side.



Completed look after being fitted

