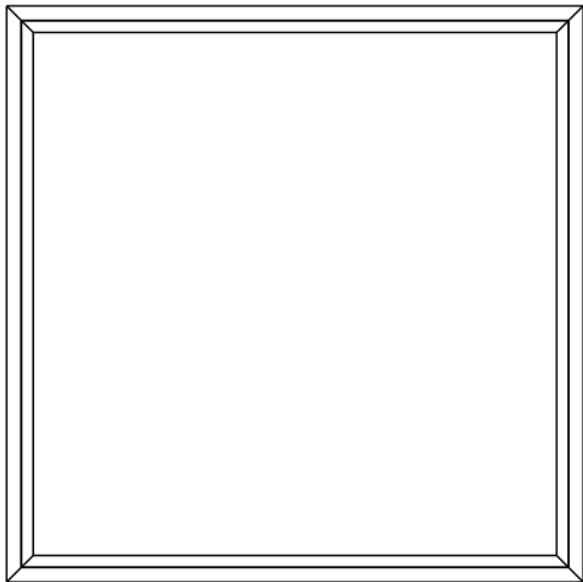


# LED LIGHT PANEL HEATER

## INSTRUCTION MANUAL



## SYMBOLS



### Warning

This symbol indicates a hazard which, if not avoided, can result in serious injury or death.



### Warning of electrical voltage

This symbol indicates dangers to one's life and health, due to electrical voltage.

Symbols	Meaning
	This symbol indicates that it is prohibited to place objects (such as towels, clothes etc.) above or directly in front of the device. To avoid overheating and fire hazards, the device must not be covered.
	This symbol indicates dangers to the life and health of persons due to a hot surface.
	This symbol indicates that it is prohibited to spray the device with water.
	This symbol indicates that the operating manual must be observed.

## CONTENT

- 1 | WARNING & PRECAUTION
- 2 | FEATURES
- 3 | TECHNICAL INFORMATION
- 4 | SCOPE OF SUPPLY
- 5 | DEVICE STRUCTURE
- 6 | INSTALLATION
- 7 | THERMOSTAT
- 8 | TROUBLESHOOTING
- 9 | MAINTENANCE & SERVICING
- 10 | STORAGE
- 11 | TECHNICAL ANNEX
- 12 | DISPOSAL

## 1 | WARNING & PRECAUTION

**Read this manual carefully before starting or using the device. Always store this manual in the immediate vicinity of the device or its site of use.**

**Read all safety warnings and all instructions.**

Failure to follow the warnings and instructions may result in an electric shock, fire and/or serious injury. Save all warnings and instructions for future reference.

### **Warning**

This heater must be mounted above 1.8 meters high. Identify the series you bought and install it in accordance to the tips in the installation chapter.

### **Warning**

This appliance can be used by children aged from 8 years and above. Those with reduced physical, sensory or mental capabilities and those who lack experience/knowledge may also use this appliance, as long as they are supervised or have been instructed on the use of this appliance in a safe way and understand the hazards involved. Children shall not play with the appliance. Cleaning and maintenance shall not be done by children without supervision.

### **Warning**

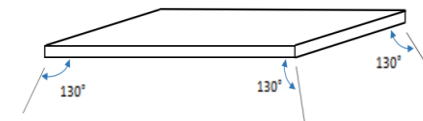
Children younger than 3 years should be kept away unless continuously supervised. Children aged between 3 and 8 years shall only switch the appliance on/off, provided that it has been placed or installed in its intended operating position and they have been given supervision or instruction concerning use of the appliance in a safe way and understand the hazards involved. Children aged between 3 and 8 years shall not plug in, regulate, clean, or perform maintenance on the appliance.

### **Warning**

Do not use the device in small rooms if people who cannot leave the room independently are present without constant supervision.

### **Warning**

Sensors with temperature detection, or temperature controllers, should not be placed within the radiation range of 130 degrees of the ceiling heating panel, otherwise it will affect the temperature reading.



### **Warning**

Some parts of this product can become very hot and cause burns. Particular attention must be given where children and vulnerable people are present. It is dangerous to install the panel close to curtains and other combustible materials. To avoid the possibility of burns, the following people should be much more careful when using the heaters: infants and children, people with sensitive skin, elderly people, sick people, people who are drunk and people who take sleeping pills.

- Remove the protective film (on the front) before using.
- Be sure the usage voltage is between 220-240V, 50Hz, and the power supply is strictly in accordance with IEC: left is the null wire, right is the live wire and it is grounded.
- The device will draw more current than a small appliance, so a separate 5A socket is required.
- Do not use the device in potentially explosive rooms.
- Do not use the device in an aggressive atmosphere.
- Set the device up in an upright and stable position.
- Let the device dry out after a wet clean. Do not operate when wet.
- Do not use the device with wet or damp hands.
- Do not expose the device to directly squirting water.

- Never insert any objects or limbs into the device.
- Do not cover or transport the device while it is in operation.
- This appliance is not a toy. Keep away from children and animals. Do not leave the device unattended during operation.
- Check accessories and all parts for possible damage prior to every use of the device. Do not use a defective device or device parts.
- Ensure that all electric cables outside of the device are protected from damage (e.g. caused by animals). Never use the device if its electric cables or the power connection have been damaged.
- The electrical connection must correspond to the specifications in chapter 3.
- Do not use the device when the socket or wire has overloaded.
- Observe the device's power input, cable length and intended use when selecting extensions to the power cable. Completely unroll extension cables. Avoid electrical overload.
- Before carrying out maintenance, care or repair work on the device, remove the mains plug from the mains socket or disconnect the circuit.
- Switch the device off and disconnect the power cable from the mains socket when the device is not in use.
- Do not use the device under any circumstances if the mains plug or power cable is damaged. If the supply cord is damaged, it must be replaced by the manufacturer, its service agent or someone with a similar qualification to avoid a hazard. Defective power cables pose a serious health risk.
- During the installation of the device, observe the minimum distances from walls and other objects as well as the storage and operating conditions specified in chapter 3.
- Do not use the device in the immediate proximity of curtains.
- Do not place the device on combustible ground.
- Do not touch the surface while the device is working to avoid burns.
- Allow the device to cool down before transport and/or maintenance work.
- Do not use this device near bathtubs, showers, swimming pools or other water containers due to the risk of an electric shock.

## 2 | FEATURES

- The device is designed to provide an efficient, comfortable and healthy heating system for domestic users.
- These devices reduce air circulation and help to maintain a clean, silent, dust free environment.
- A wide range of devices available in a huge choice of colors, sizes and styles.

## 3 | TECHNICAL INFORMATION

**LED Light HH series**

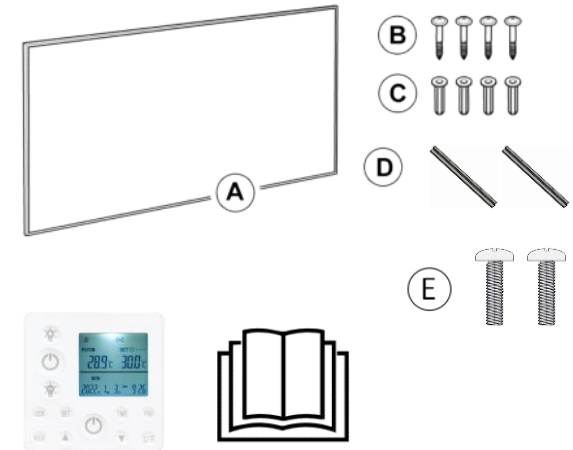
Heating element	Carbon
Heating way	Far infrared heating
Input Voltage	220-240V/50Hz
Surface temperature	Main 130-150°C
Frame	Aluminium
Overheating protection	Yes
Power cord length	≤1.9m

<b>Model NO.</b>	<b>Size(mm)</b>	<b>Power (W)</b>
HH492L	522*522*35	280W
HH560L	590*590*35	320W
HH860L	590*890*35	520W
HH1160L	590*1190*35	720W
HH0606L	655*630*35	400W
HH0706L	780*630*35	480W
HH0707L	700*700*35	480W
HH0806L	880*630*35	550W

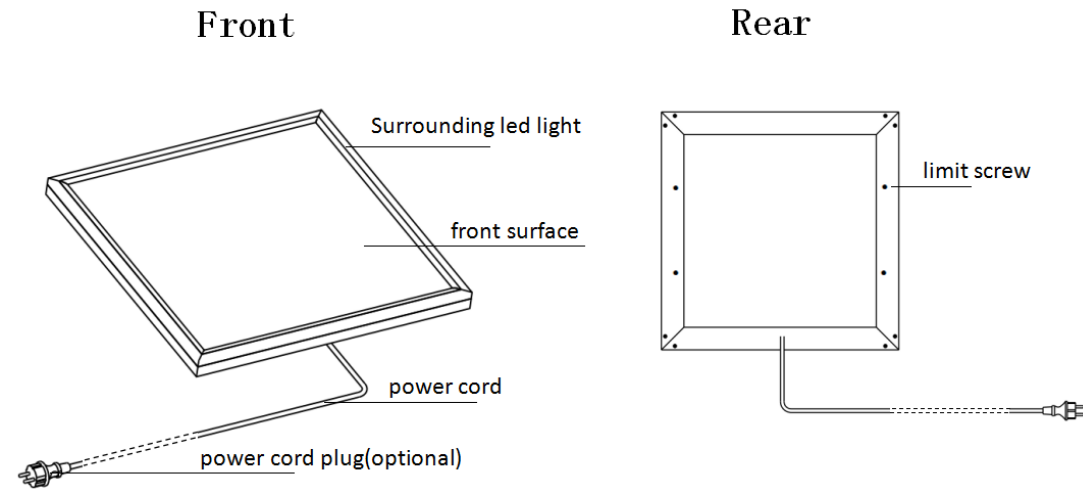
HH0808L	800*800*35	640W
HH0906L	980*630*35	620W
HH0909L	900*900*35	840W
HH1006L	1080*630*35	700W
HH1010L	1000*1000*35	1040W
HH1106L	1180*630*35	760W
HH1206L	1280*630*35	840W
HH1306L	1380*630*35	900W
HH1406L	1480*630*35	980W
HH1506L	1580*630*35	1040W
HH1606L	1680*630*35	1110W
HH1706L	1780*630*35	1180W

#### 4 | SCOPE OF SUPPLY

- (A) 1 x heating device
- (B) 4 x Screws
- (C) 4 x Dowels
- (D) 2 x hanging units
- (E) 2 x Screws
- 1 x thermostat
- 1 x Manual



#### 5 | DEVICE STRUCTURE



## 6 | INSTALLATION



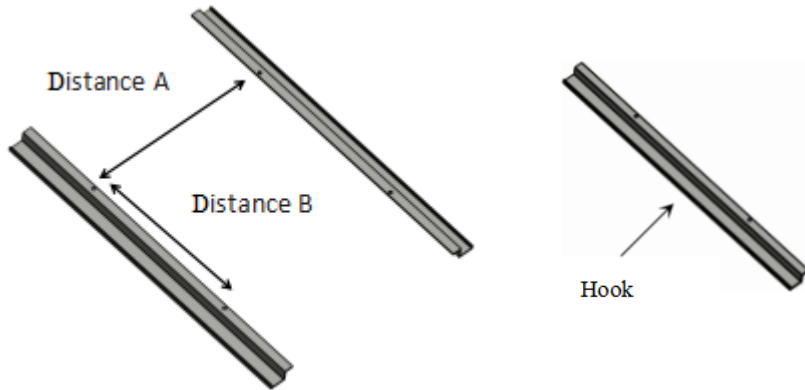
### Warning

- Mounting work must be carried out by a professional electrician.
- Do not suspend panels from the power cord.
- Remove the front protective film before using.
- The power cord must be well grounded.

1. Drill four holes on the ceiling in accordance with distance A and distance B.

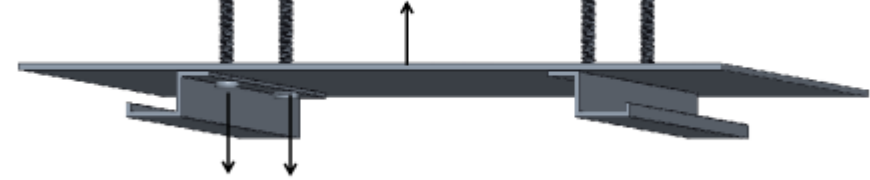


Must use an 8mm rotary bit to avoid panel falling!



Panel Size/mm	Hole Distances of Screws/mm
655*630 (or similar)	A495*B100mm
1080*630(or similar)	A495*B300mm
1280*630 (or similar)	A495*B300mm

2. Mount the two hanging units onto the ceiling with screws and tighten them.

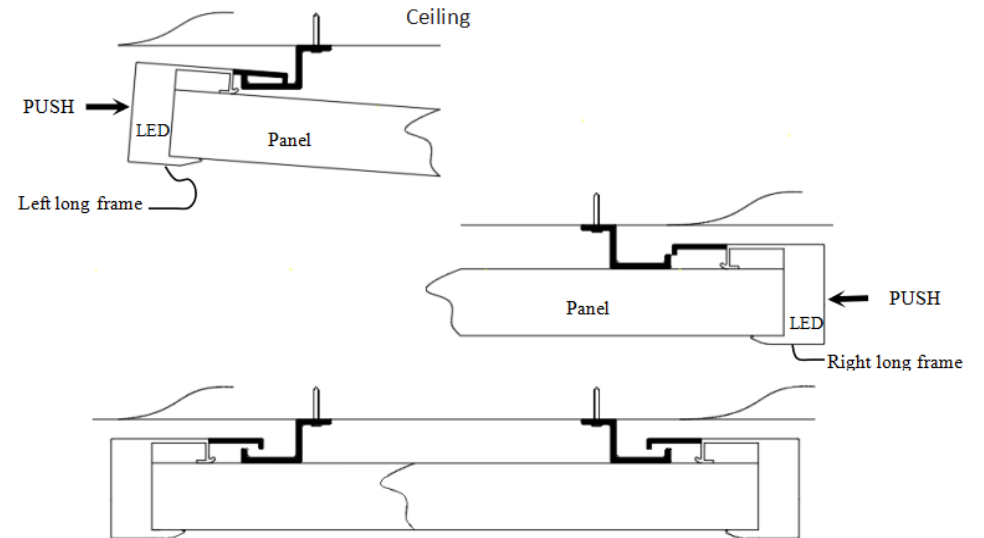


must be screwed to the end tightly

3. Position the back of the panel's frame over the hooks on both long sides one side at a time.

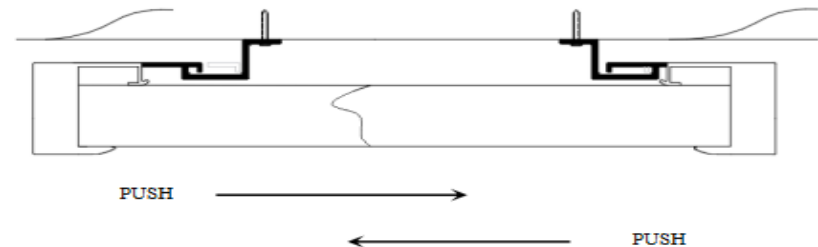
*Note: 1. Hooks are for the two long sides of the frame only.*

*2. Make sure the hooks are between the two limit screws.*

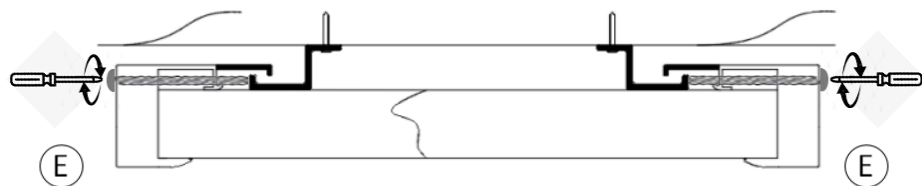


### WARNING

To avoid the panel falling off, slide the panel left and right to make sure the two hooks have been completely hooked onto the two long frames.



4. Screw the screws (E) into the holes reserved on both sides of the product and tighten.



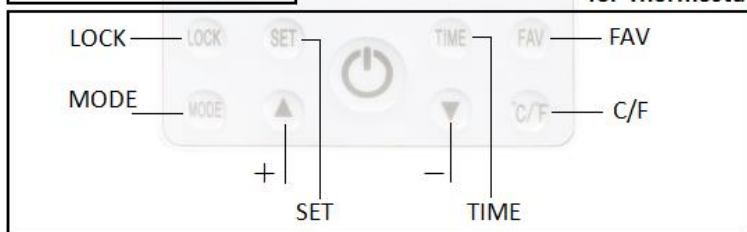
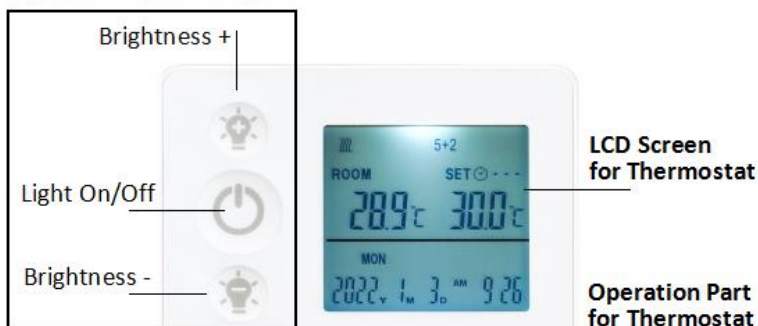
## 7 | THERMOSTAT

### Specification

- Battery-powered: DC 4x 1.5V AAA batteries (not included)
- Set temperature range: 0°C~ 45°C, resolution: 1°C
- Room temperature range: 0°C~ 50°C, display resolution: 0.1°C
- Accuracy of the measured temperature: ±0.5°C
- Working environment range 1°C~ 50°C
- Radio frequency 433.92MHz

### Description

#### Operation Part for Light



1. This thermostat also includes controls for the LED light.
2. The thermostat identifies the room temperature with its integrated sensor and communicates with the panel to stop/start heating as the ambient temperature changes, to maintain a constant room temperature. When the room temperature is 0.5°C higher than the SET temperature, the thermostat will turn the panel off. When the room temperature is 0.5°C lower than the SET temperature, the thermostat will turn the panel on.
3. The screen display shows the set temperature as well as the current temperature, time, date, modes etc.
4. The thermostat has weekly settings, temperature settings, a favourite temperature, time setting functions and can turn the heater off when the temperature jumps.
5. The thermostat is powered by 4x 1.5V AAA batteries. Change these for new ones if the battery symbol flashes, or else it will not be able to control the panel.
6. The keypad locking function is designed to act as a child lock to prevent misuse.
7. When the LCD screen is off, only the heater is off - the remote control itself still works until the batteries are used up, removed or broken.
8. The LCD screen only works in the range of 1°C~ 50°C.

### Operation

1. Turn the panel on at the wall, press On/Off on the thermostat, then hold °C/°F and MODE at same time for 3-5 seconds to pair the thermostat and panel together, which is indicated by a long beep sound.

#### **NOTE:**

- 1) Pairing must be finished within 1 minute of the panel being turned on. If this is unsuccessful, turn the panel off and on again to retry.
  - 2) Re-power the panel if you want to pair the panel with another thermostat.
  - 3) One thermostat can pair with, and work with, several panels simultaneously.
  - 4) Before pairing, turn off any panels you don't want to pair with.
2. Press the 'Light On/Off' button to activate/deactivate the LED light surrounding the panel and hold the button to change the colour (for some models only.)
  3. Press +/- to adjust the brightness to 100%, 75%, 50% or 25%. Holding the button adjusts the brightness from 100% to 5%.
  4. Press the other 'On/Off' button on the thermostat to turn the heater on/off.
  5. Hold LOCK for 3-5 seconds to lock/unlock the buttons.

6. Press °C/°F button to convert the temperature display measurement unit.
7. Hold TIME for 3-5 seconds to set the year, month, date, and time with the ▲ and ▼ buttons.
8. Press ▲ and ▼ to set a target temperature. During a set weekly routine, press ▲ and ▼ to set a temporary target temperature which reverts to the weekly target temperature when reaching the next set time.
9. Press and hold FAV for 3-5 seconds until the set temperature icon flashes, press ▲ and ▼ to set a favourite temperature and press FAV to confirm.
10. Press the MODE and TIME buttons simultaneously to select 5+2 or 1...7 programming modes.
11. Press and hold the MODE button for 3-5 seconds to turn the programming mode on or off, ON means open, OFF means close.
12. Press and hold the SET button for 3-5 seconds to enter programming mode.  
*Note: Programming mode has a time-out limit whereby if no buttons are pressed within 3-5 seconds, it reverts to the main screen.*

#### 1) 5+2 Programming Mode

You can program the thermostat to fit your lifestyle — week and weekend, plus up to 4 time intervals per day.

**Step 1.** Once in 5+2 mode, press and hold the SET button for 3-5 seconds until program icon ① and MON TUE WED THU FRI is displayed with ON and Time flashing on screen.

**Step 2.** Press ▲ to adjust the hour (+1 hour/press) and press ▼ to adjust the minutes (+5 minutes/press) in order to set the **starting time** of program ①.

**Step 3.** Press the SET button once and the OFF icon will flash on screen, use the ▲ button to adjust the hours (+1 hour/press) and press ▼ to adjust the minutes (+5 minutes/press) to set when program ① **ends**.

**Step 4.** Press the SET button once again and the temperature icon will flash on the screen, use the ▲ and ▼ buttons to set the desired temperature for program ①.

**Step 5.** Press the SET button to bring up program ② of weekdays and repeat steps 2-5. Programs ③ and ④ are completed in a similar manner.

**Step 6.** After setting ④, press the SET button to bring SAT and SUN up on screen. Repeat steps 2-5 to set programs ① ② ③ and ④ for the weekend.

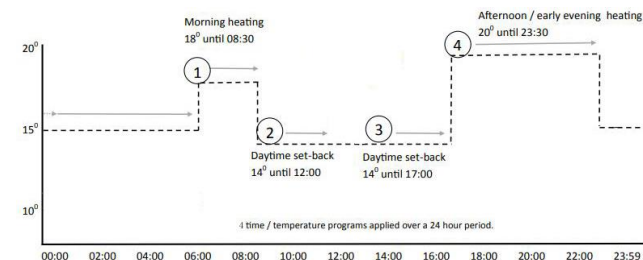
#### 2) 1-7 Programming Mode

You can program the thermostat everyday by setting 2 groups of time intervals per day.

Once in 1-7 Mode, hold the SET button for 3-5 seconds until program ① and MON is displayed with ON and Time flashing on the screen. Follow the previous steps 2-4 to set the On/Off times and desired temperature for program ① and program ② from Monday to Sunday in sequence.


*Tips :*

- 1). *The default starting time is 00:00, the default ending time is 00:00, and the default operating temperature is 15 degrees.*
- 2). *If the default On/Off time of 00:00 is not adjusted, the programming settings are invalid.*
- 3). *The running times for programs ① ② ③ and ④ cannot overlap, and the ending time of each program must be later than its starting time, as the setting will become invalid.*
- 4). *In 5+2 mode, if you do not want to set a mid-day heating period (program ② or ③), simply set the programs ② or ③ to a lower temperature than default with shorter intervals. An example is shown below.*



- 5). *The programmed time/temperature settings will be restored with the next set program.*
  - 6). *Once the programs are set up, the timings will work even if the thermostat is turned off. The heater will be switched on or off according to the settings.*
13. The thermostat will automatically turn off the heater if a sudden drop in temperature is detected.



14. After pressing FAV, the set temperature will become the favourite temperature, and it will change again to the weekly target temperature at the next set interval.
15. The  symbol means the heater is on, it only displays when room temperature is 0.5°C (or more) below the set temperature.
16. The backlight will be on when a button is pressed while the heater is turned on.

### Notes

1. All settings need to be reset after battery replacement.
2. Alkaline batteries are recommended. If no buttons on the thermostat work, try replacing the batteries.
3. Change the batteries with new ones once the battery symbol flashes on the screen to keep using the thermostat.
4. Check that the set temperature is higher than the current room temperature if the heating doesn't turn on.
5. To make the week timer and set temperature work properly, make sure the TIMER function has been switched on by holding MODE. To disable it, switch the TIMER to be OFF.
6. Do not cover or touch the temperature sensor at the top of the thermostat.
7. Put the thermostat in an open environment rather than inside a drawer/pocket or under a pillow/quilt etc.
8. Take out the batteries from the thermostat after not being used for a prolonged amount of time.

## 8 | TROUBLESHOOTING

Problem	Reason	Measure
Makes a noise when first plugged in and turned on.	Due to the stress of the heat insulator.	It is a normal phenomenon and is to be expected.
The surface of the device has been raised slightly.	The heater's surface is expanding due to the heat.	It is a normal phenomenon and is to be expected.
The surface of the heating device is only slightly warm.	1. The voltage is low. 2. In a low-temperature environment.	1. Install a voltage regulator. 2. It is normal.

## 9 | MAINTENANCE & SERVICING

### Activities required before starting maintenance



#### Warning of electrical voltage

- Do not touch the mains plug or power cord with wet or damp hands.
- Hold onto the mains plug while pulling the power cable out of the mains socket.
- Allow the device to cool down completely.



#### Warning of electrical voltage

Tasks which require hardwiring must only be carried out by authorized specialist companies.

### Cleaning the device



#### Warning of electrical voltage

Never submerge the device in water.

Clean the device with a soft, damp and lint-free cloth.

Ensure that no moisture enters the device. Protect all electrical components from moisture. Do not use any aggressive cleaning agents such as cleaning sprays, solvents, alcohol-based or abrasive cleaners to dampen the cloth.

Wipe the device dry after cleaning.

## 10 | STORAGE

When the device is not being used, ensure the following storage conditions have been met:

- Dry and protected from frost and heat.
- In an upright position where it is protected from dust and direct sunlight.
- Has a cover to protect it from invasive dust, if necessary.
- Do not place other devices or objects on top of the device to prevent prevent it from being damaged.

## 11 | TECHNICAL ANNEX

Information requirements for electrical local space heaters

Item	Unit
<b>Type of heat input, for electric storage local space heaters only (select one)</b>	
manual heat charge control, with integrated thermostat	[no]
manual heat charge control with room and/or outdoor	[no]
electronic heat charge control with room and/or outdoor	[no]
fan assisted heat output	[no]
<b>Type of heat output/room temperature control (select one)</b>	
single stage heat output and no room temperature control	[no]
Two or more manual stages, no room temperature control	[no]
with mechanic thermostat room temperature control	[no]
with electronic room temperature control	[no]
electronic room temperature control plus day timer	[no]
electronic room temperature control plus week timer	[yes]
<b>Other control options (multiple selections possible)</b>	
room temperature control, with presence detection	[no]
room temperature control, with open window detection	[yes]
with distance control option	[no]
with adaptive start control	[no]
with working time limitation	[yes]
with black bulb sensor	[no]

## 12 | DISPOSAL



This equipment must not be thrown away of with household waste upon its disposal. There are collection points for the free return of waste electrical and electronic equipment in your vicinity. The addresses can be obtained from your local administration.

The separate collection of waste electrical and electronic equipment aims for the re-use, recycling, and other forms of recovery of waste equipment as well as to prevent negative effects for the environment and human health caused by the disposal of hazardous substances potentially contained in the equipment.